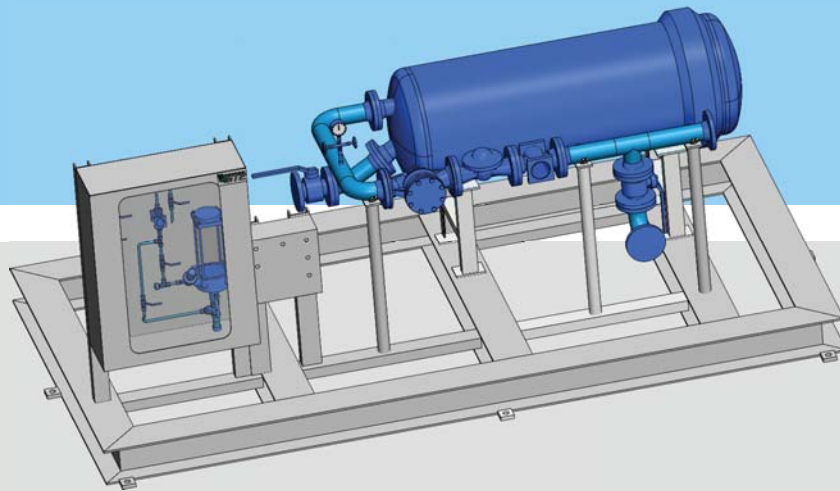


Skid aircraft fuelling

Refueller loading skit, filter Skid and pump Skid



We have designed the aircraft fuelling Skid especially for loading airfield road tankers and aircraft.

Through the compact design they are easy to transport and used individually. They include filtration technology required by international regulations and the possibility to take samples.

We can easily modify the Skids to customer requirements.

Dimensions:	H ~ 3 m w 1,6 m L 2,0 m
Weight:	~ 3.500 kg
Volume flow rate:	bis 30 m ³ /h bis 250 m ³ /h
Accuracy	
Mass measurement:	± 0,1%
Density measurement:	± 0,0005 g/cc
Reproducibility	
Mass measurement:	± 0,0025%
Nominal size:	individual
Liquid:	Jet – A1
Design pressure:	16 bar
Testing pressure:	24 bar
Operating temperature:	-60 °C to +55 °C
Certification:	Russia

