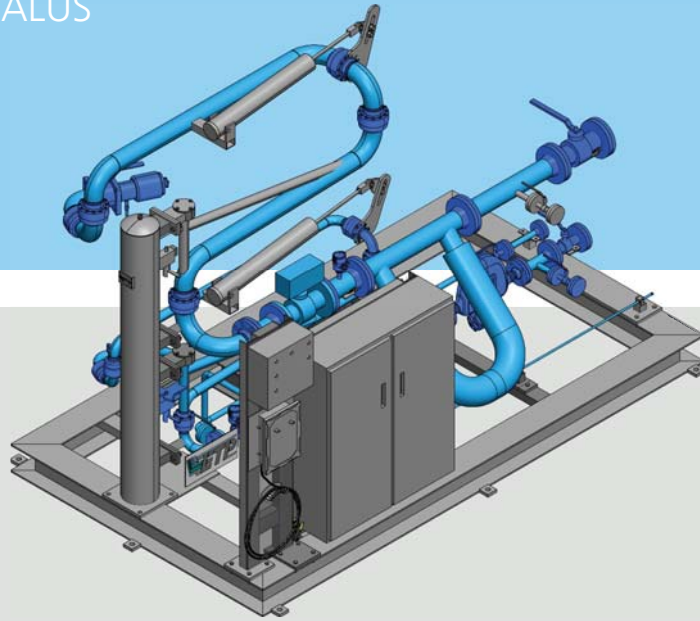


# Skid bottom loading

for LPG – model ALUS



Dimensions:	H 3,5 m W 2,0 m L 2,2 m
Weight:	~ 2.100 kg
Measuring principle:	Coriolis (Mass)
Volume flow rate:	up to 40 m <sup>3</sup> / h
Accuracy of the measurement:	± 0.1%
Nominal sizes:	DN50 to DN80
Liquid:	LPG
Design pressure:	PN 25
Testing pressure:	32 bar
Operating temperature:	-60 °C to +55 °C
Certification:	Russia

We have developed the bottom loading Skid especially for LPG liquid loading in road tankers for any facility. Through its compact design it is easy to transport and can be set up individually. Fixing to the ground is made with durable shear connectors. A solid base framework and a balanced weight distribution also ensure larger loading radii without problems.

With extensive measuring techniques and a special analysis of the control engineering, the liquid portion of the returned gas volume is extracted from the mass of the loaded product. In this way more exact data of the actual loaded liquid gas volume is obtained.

We can modify the bottom loading Skid to any connection and requirement situation and therefore we can implement individual customer wishes at short notice.

